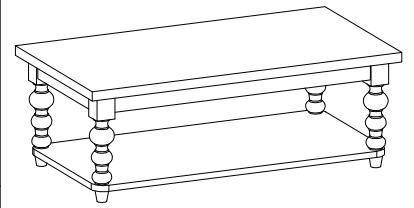
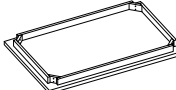
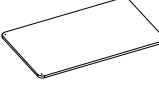
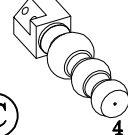

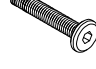





Warning :

- Be sure to check all packing material carefully for small parts, which may have come loose inside the carton during shipment.
- To prevent possible scratches and damage, this furniture **MUST BE ASSEMBLED BY TWO PEOPLE** on a soft surface such as a blanket or carpet.

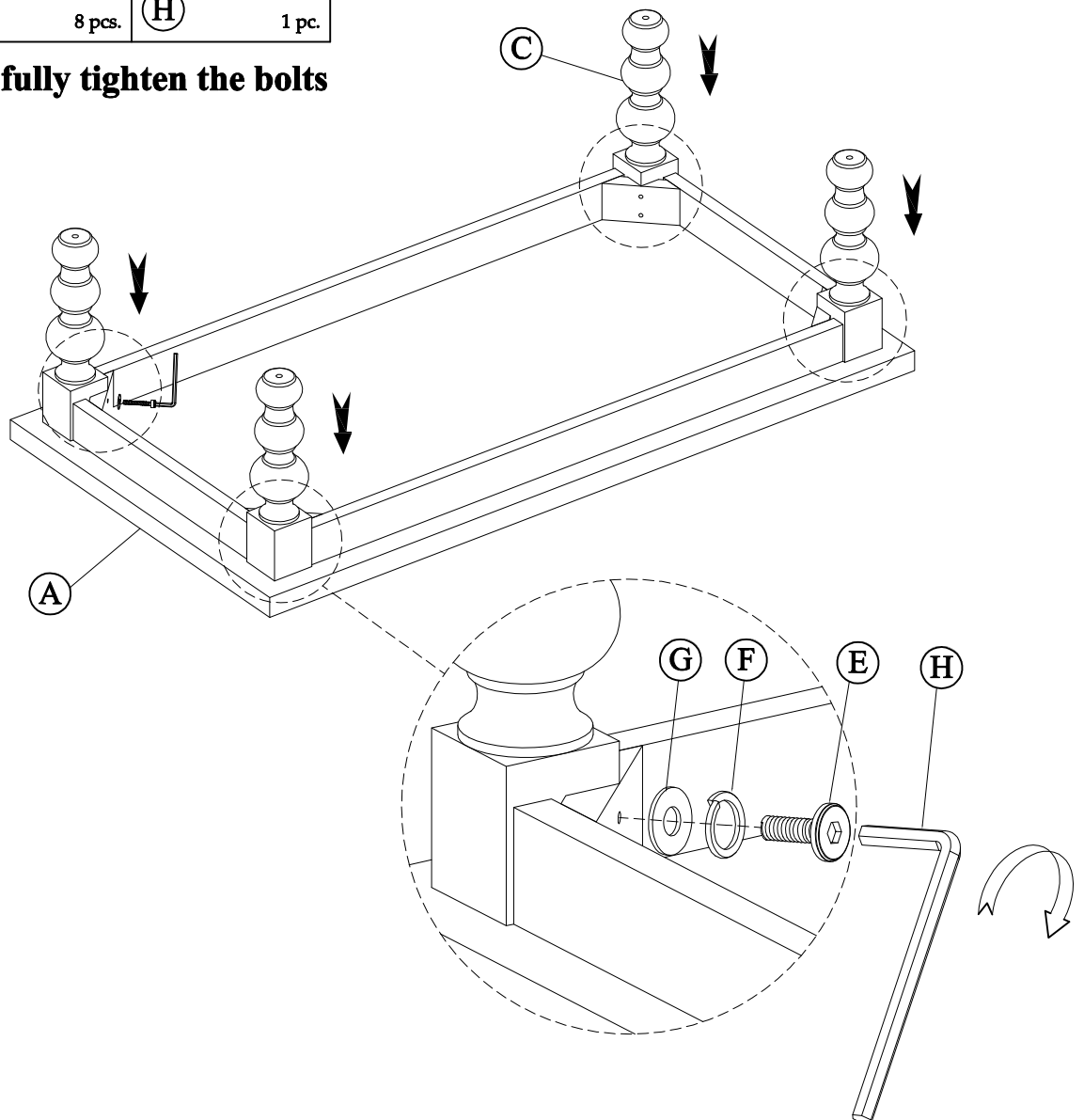


Components and Hardware List

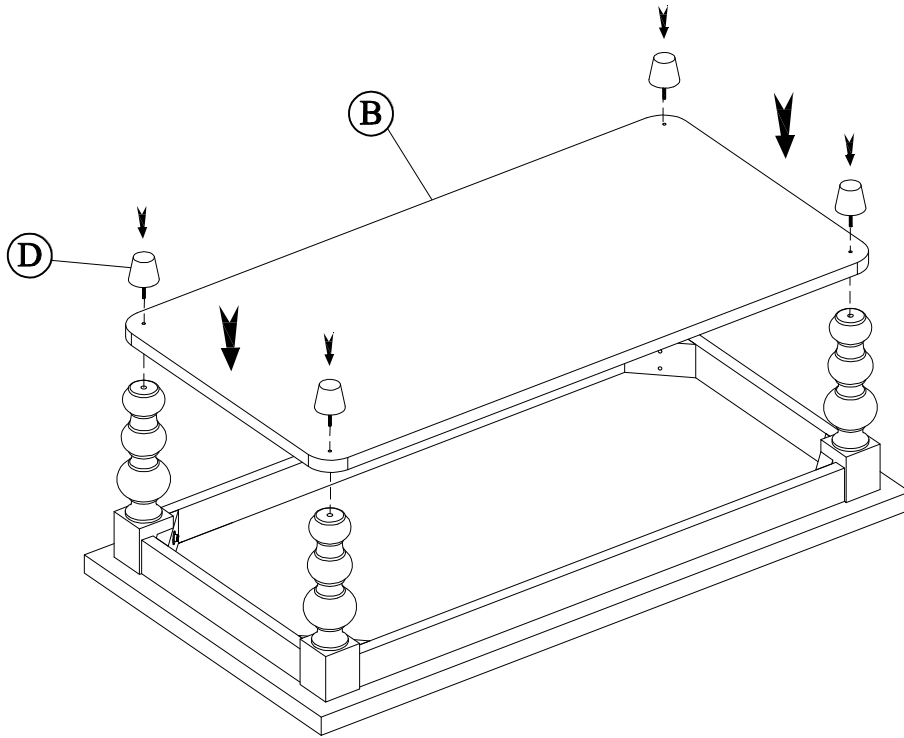
<p>Top Assembly 1 pc.</p>  <p>(A)</p>	<p>Shelf 1 pc.</p>  <p>(B)</p>	<p>Leg 4 pcs.</p>  <p>(C)</p>	<p>Bun Foot 4 pcs.</p>  <p>(D)</p>	<p>Allen Head Bolt 8/25"x Length (8mm) 8 pcs.</p>  <p>(E)</p>
<p>Spring Washer (8mm) 8 pcs.</p>  <p>(F)</p>	<p>Flat Washer 8/25"x (8mm) 8 pcs.</p>  <p>(G)</p>	<p>6mm Allen Key 1 pc.</p>  <p>(H)</p>		

39502
Rectangle Cocktail Table

Step 1 : Do not fully tighten the bolts



Step 2 : Align shelf and legs with bun feet



Step 3: Using the Allen key tighten all leg bolts, then hand tighten the bun feet.

